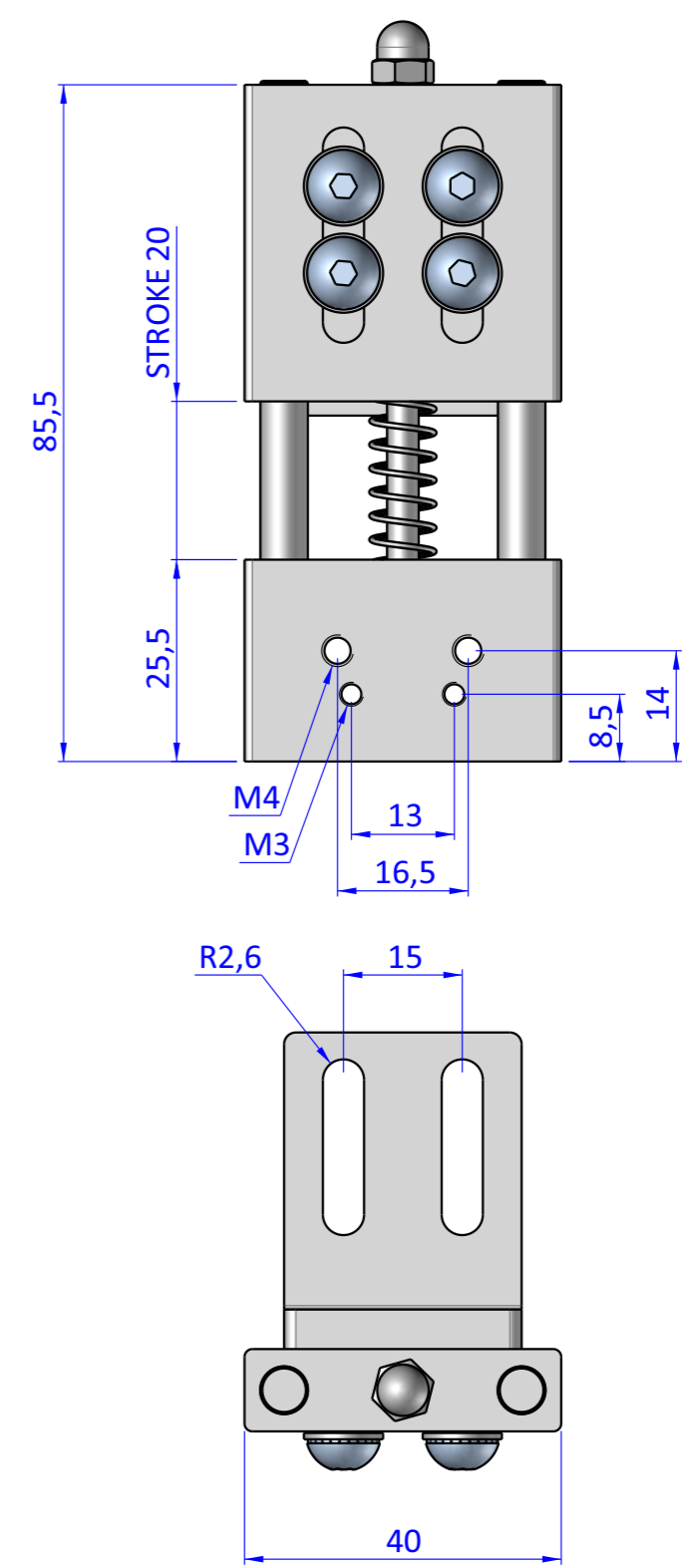
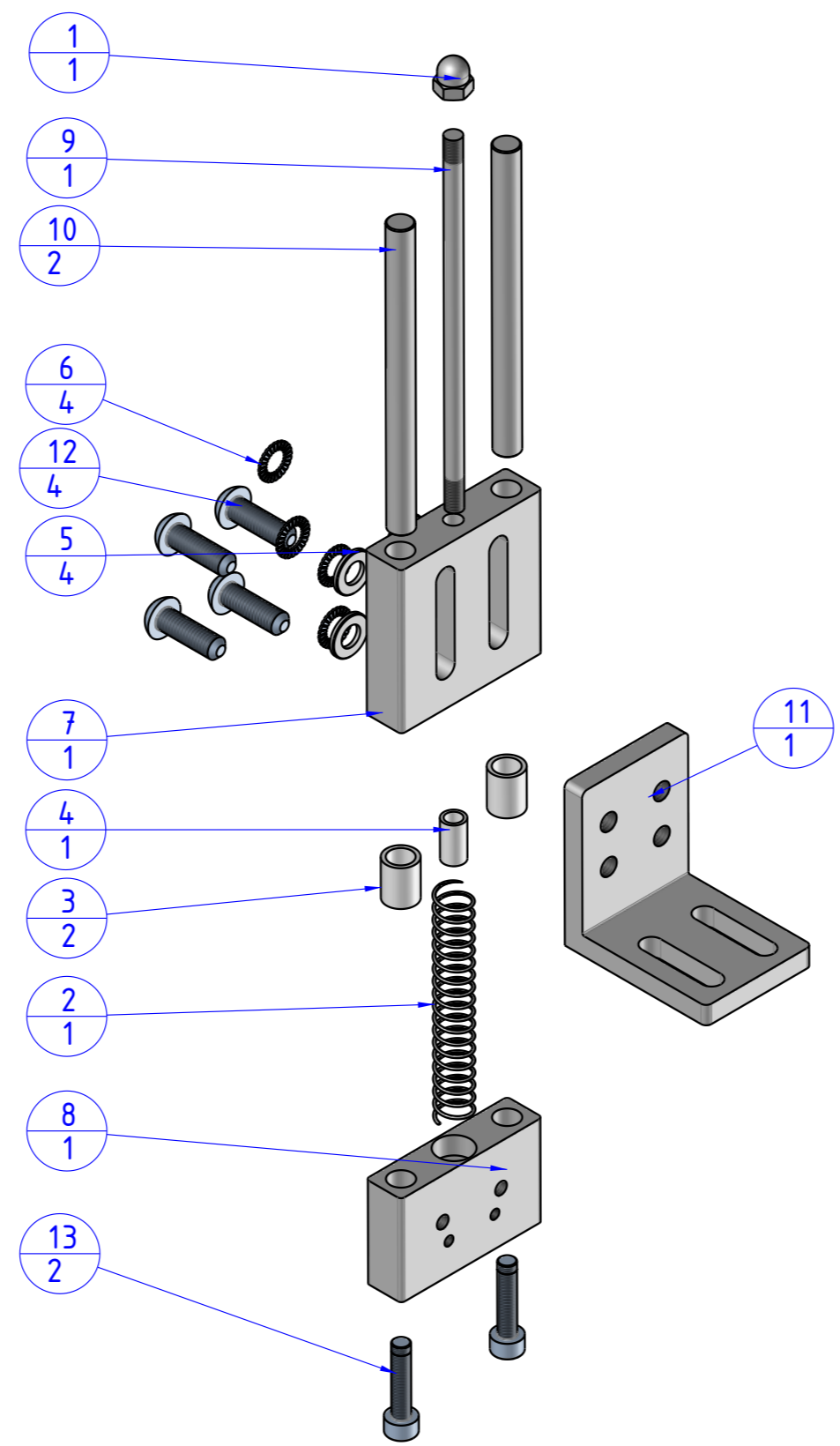



THE PROPERTY OF THE DRAWING IS ESTABLISHED BY LAW. IT IS FORBIDDEN TO PRODUCE OR SHOW IT TO THIRD PART. WITHOUT A WRITTEN AGREEMENT.

Item	Name	Q.ty
1	D.4.DIN1587	1
2	M.8.5X48.50.1	1
3	PAP.060810	2
4	PAP.0405510	1
5	R.5	4
6	R.5.SCH	4
7	UCP.NO.20.01	1
8	UCP.NO.20.02	1
9	UCP.NO.20.03	1
10	UCP.NO.20.04	2
11	UCP.NO.20.05	1
12	V.TBCE5X16.BUTT	4
13	V.TCE4x18	2



Format A3
UNI 936-76

 FPS FPSERVICES AUTOMATION		DESIGNED FROM		REVIEW
		FPS Automation		A
GENERAL TOLERANCE		DATE	WEIGHT	
UNI - ISO 2768		22/11/2022	0,134kg	
CLASSE f		CODE		
CA.UCP.NO.20		CA.UCP.NO.20		